

GRAVITY DIVERTER VALVES

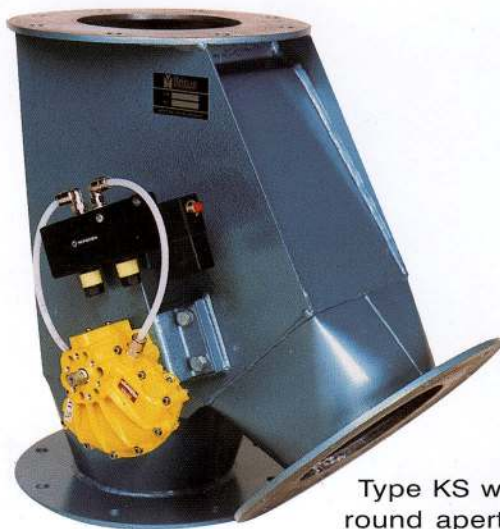
PNEUMATIC TYPE K

- STAINLESS STEEL OR MILD STEEL CONSTRUCTION
- PNEUMATIC OR MANUAL LEVER OPERATION
- SIZES 4 INCHES TO 12 INCHES
- FLAP IN STAINLESS STEEL
- FOOD QUALITY RUBBER WIPER 'SEAL'
- STANDARD SIZES OR SPECIALS
- ROUND OR SQUARE APERTURES

This valve is available fabricated in mild steel or stainless steel, making it ideal for the bulk handling of powders, pellets and granules in the food, chemical, plastics, etc., industries.

The smooth internal faces ensure no lodgement areas and the diverting flap comprises two stainless steel plates sandwiching a rubber wiper seal.

Operation is by a pneumatic vane type actuator, controlled by a single solenoid valve. The solenoid valve is supplied with manual override for local manual control. Switches for electrical indication of valve positions are supplied as an optional extra. Switches and solenoid valves to customers' requirements, or for use in hazardous areas, can also be fitted. Maximum operating temperature 176°F.



Type KS with
round aperture



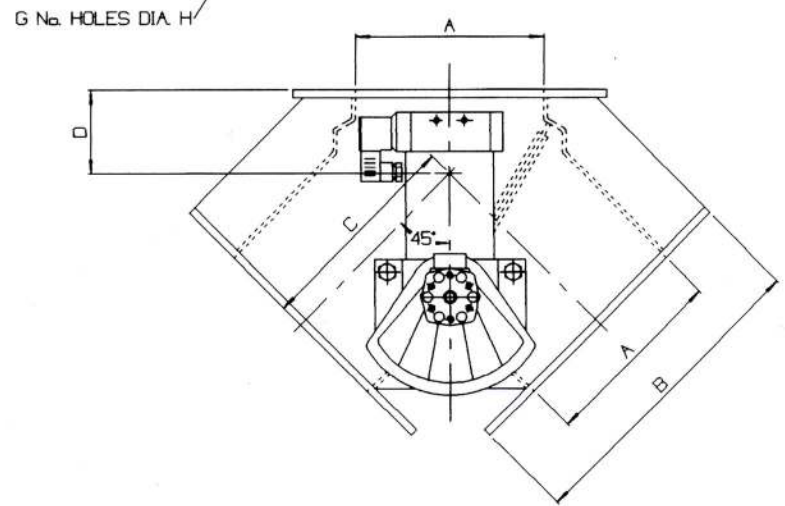
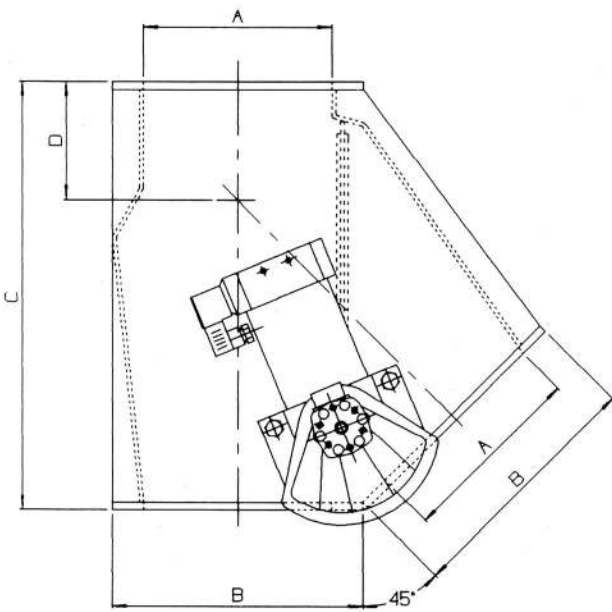
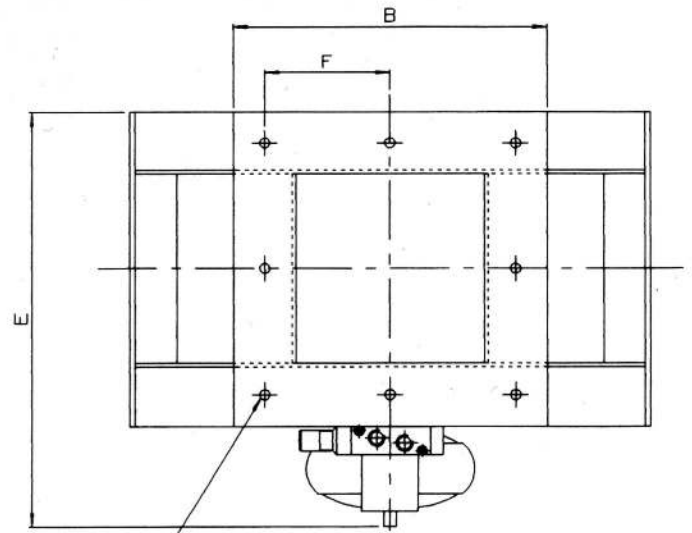
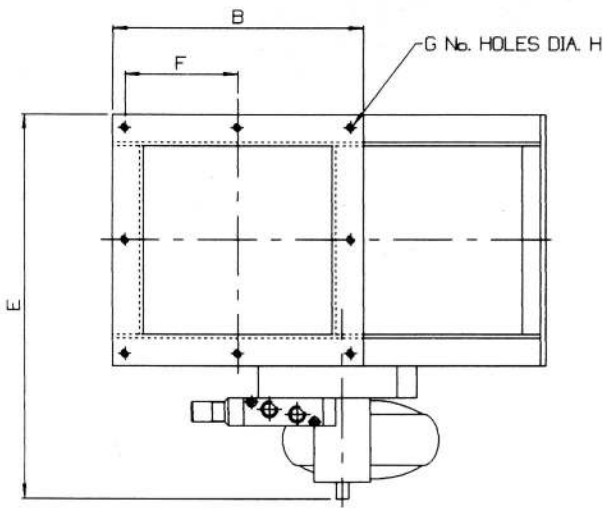
Type KT with
square aperture

Britton Procol

VALVES

See over for
planning-in
dimensions





SQUARE DIVERTER TYPE KS

VALVE SIZE	A	B	C	D	E	F	G	H
100	4"	6.00	10.50	2.87	9.05	2.56	8	1/4 UNC
150	6"	8.00	13.38	3.66	11.00	3.54	8	1/4 UNC
200	8"	11.00	17.38	3.78	13.78	4.72	8	5/16 UNC
250	10"	13.78	21.25	4.25	16.50	2.95	12	5/16 UNC
300	12"	16.00	24.50	5.12	20.50	3.46	16	5/16 UNC

SQUARE DIVERTER TYPE KT

VALVE SIZE	A	B	C	D	E	F	G	H
100	4"	8.00	5.63	1.97	10.00	2.95	8	3/8
150	6"	10.00	6.65	2.60	12.00	3.93	8	3/8
200	8"	12.00	7.60	3.70	14.75	4.92	8	3/8
250	10"	13.75	8.62	3.94	16.50	2.95	12	7/16
300	12"	16.00	9.57	4.96	20.50	3.46	16	7/16

We are continually developing our products and accordingly we reserve the right to change specifications and dimensions without prior notice.

Britton Procol
VALVES



SMS INTERNATIONAL, INC.

302 W. Lincoln Hwy., Suite 8
 Cortland, IL 60112 USA
 800-296-1149 • Fax: 866-684-7495