

SLIDE VALVES

HEAVY DUTY TYPE H

- MILD STEEL OR STAINLESS STEEL CONSTRUCTION
- SIZES 6 INCHES TO 20 INCHES
- SCREW OR PNEUMATIC OPERATION
- MACHINED SEAT FOR EFFICIENT SHUT OFF
- ADJUSTABLE FELT SEAL

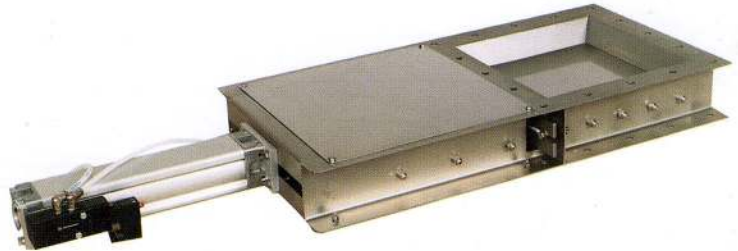
This slide valve for powders and granular material has been specially developed for use on outlets of conveyors, silos and any other discharge point where a robust and powerful valve is required.

The body is constructed from channel section steel, the 'seat' being machined. The slide plate runs on independently adjustable nylon rollers and is sealed to the outside by an adjustable felt seal. Use of the centrally mounted actuator ensures trouble free operation. These valves are not 100% dust-tight to the outside and are not designed to close through a static column of material. Maximum operating temperature 176°F (302°F to special order).

Special size valves are also available.

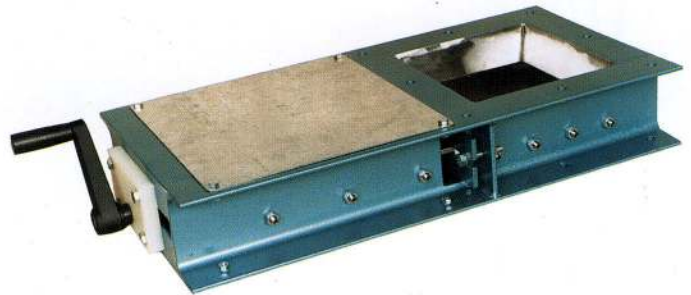
PNEUMATIC VALVE TYPE HP

Operation is by a single cushioned cylinder with stainless steel piston rod controlled by a single solenoid valve, pipe connections being made to the cylinder and arranged to close the valve should electricity supply fail. The solenoid valve has manual override for local manual operation. Switches for electrical indication of valve status can be fitted if required. Switches and solenoid valves to customers' requirements, or for use in hazardous areas, can also be fitted.



SCREW VALVE TYPE HS

Quick and easy movement of the slide plate is by a double start acme screw and nut and can be fitted with a handwheel or alternatively a chainwheel for operating at varying heights above floor level. This valve, as well as for use as a shut off valve, is ideal for metering material flow in the part open/closed position.

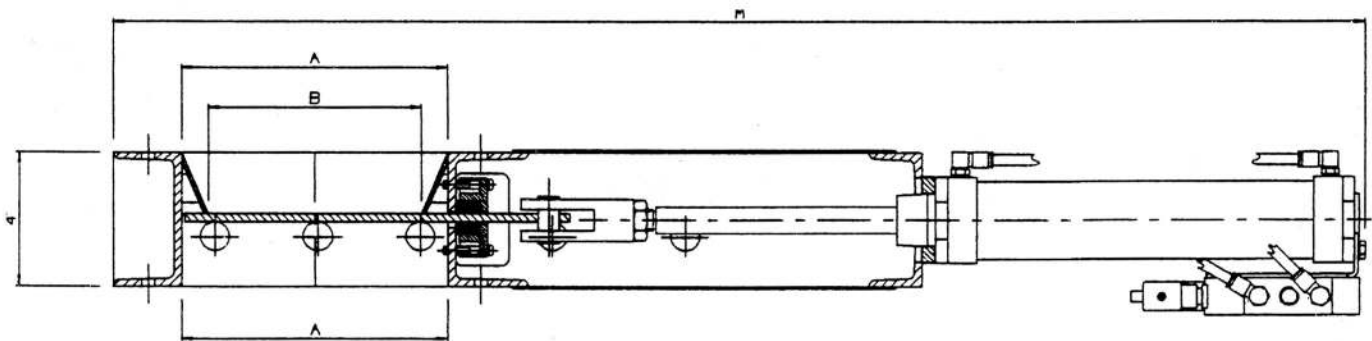
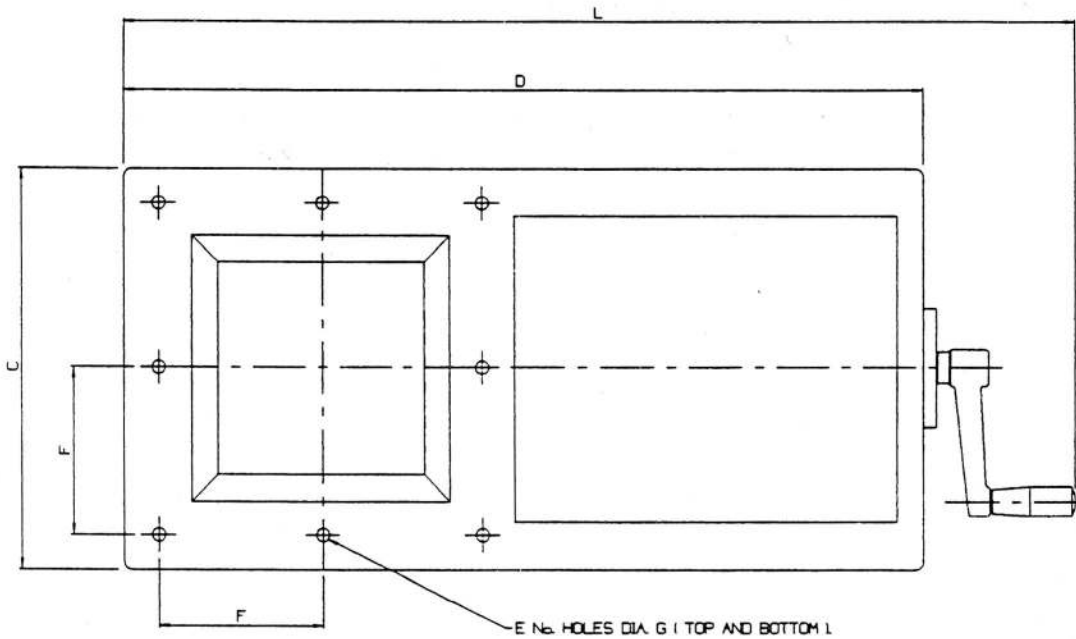


Britton Procol

VALVES

*See over for
planning-in
dimensions*





VALVE SIZE	A SQ.	B SQ.	C	D	E NO.	F CRS.	G DIA.	L	M
150	6"	4.50	10.00	20.00	8	3.93	7/16	24.80	31.50
200	8"	6.50	11.87	24.00	8	4.92	7/16	28.75	37.50
250	10"	8.50	13.87	28.00	8	5.90	7/16	32.68	43.50
300	12"	10.25	15.87	31.50	16	3.46	1/2	35.87	49.25
350	14"	12.25	17.75	35.43	16	3.93	1/2	39.75	55.25
400	16"	14.25	19.75	40.75	16	4.40	9/16	45.00	61.00
450	18"	16.00	21.75	44.76	16	4.92	9/16	49.00	67.00
500	20"	18.00	23.75	48.75	16	5.43	9/16	53.00	72.87

We are continually developing our products and accordingly we reserve the right to change specifications and dimensions without prior notice.

Britton Procol
VALVES



SMS INTERNATIONAL, INC.

302 W. Lincoln Hwy., Suite 8
 Cortland, IL 60112 USA
 800-296-1149 • Fax: 866-684-7495