

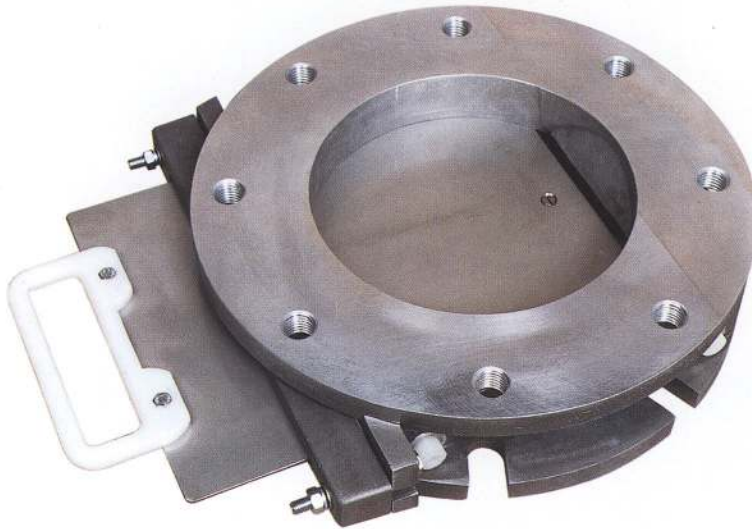
## SLIDE VALVES

### MANUAL VN

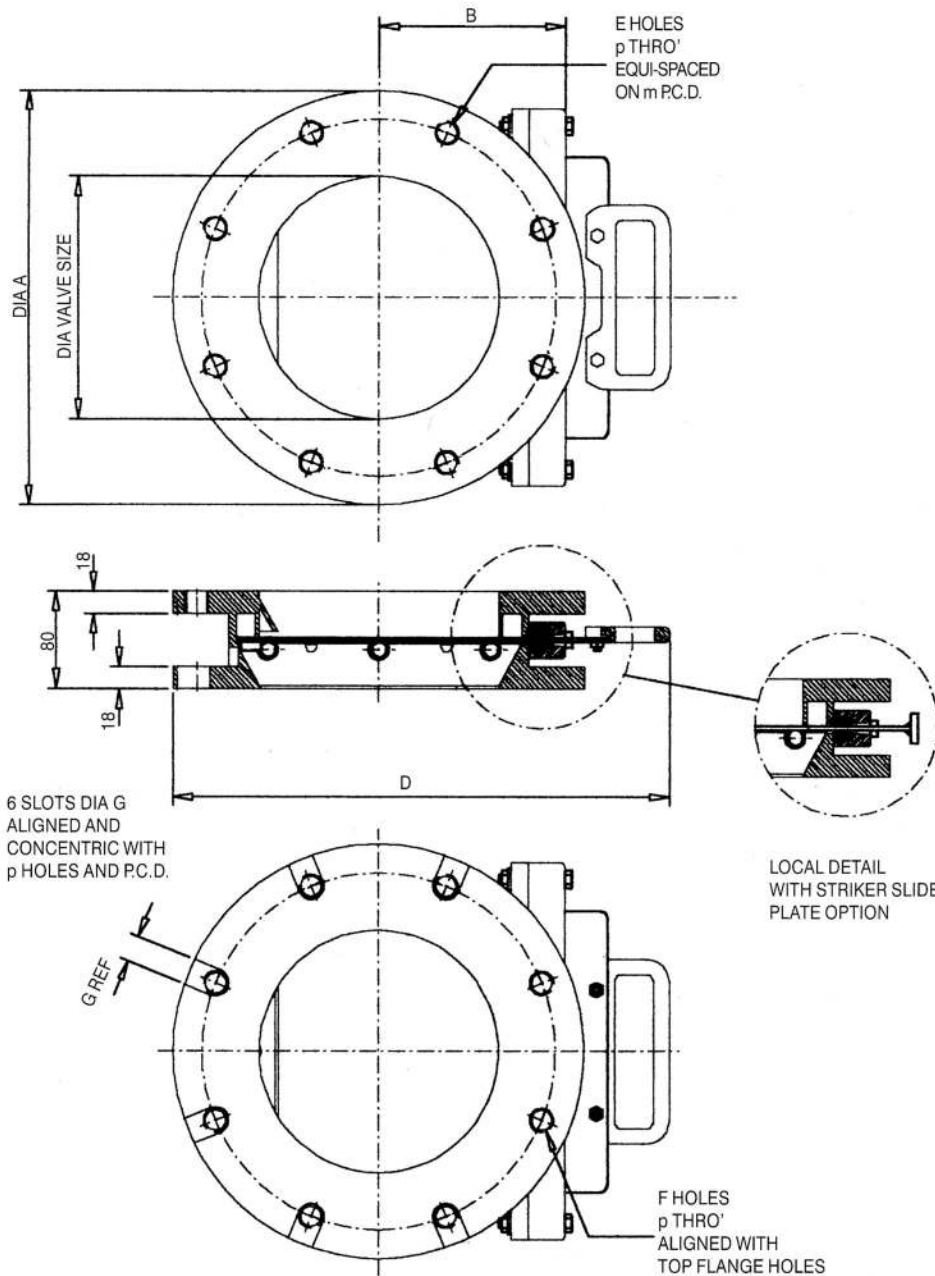
- SIZES 4 INCHES TO 12 INCHES ROUND
- MACHINED CAST ALUMINUM BODY
- STAINLESS STEEL SLIDE PLATE
- FOR IN-LINE USE AS AN EMERGENCY VALVE

A range of manual slide valves for powders developed especially to meet the need for an emergency valve. The slide plate can be fitted with the standard nylon handle for normal push/pull operation or with a Striker plate for emergency use when downstream equipment needs to be isolated for maintenance/repair.

The felt seal around the slide plate is contained in an adjustable stuffing box. The aluminum alloy body and 304 stainless steel slide plate, running on nylon 66 adjustable supports, permit the valve in its standard form to be used with a wide variety of materials in the chemical, plastics, foodstuffs, etc., industries. Maximum operating temperature 120°C.



**Britton**  
POWDER CONTROL



VALVE SIZE	NOMINAL OPENING	DIM Dia m	DIM p	DIM A	DIM B	DIM D	DIM E	DIM F	DIM G
100	4"	7.5	5/8	9.02	4.13	12.36	8	-	.71
150	6"	9.5	3/4	11.00	5.12	14.33	8	-	.87
200	8"	11.75	3/4	13.50	6.10	16.30	8	-	.87
250	10"	14.25	7/8	15.98	7.08	18.50	12	2	.87
300	12"	17	7/8	19.00	8.07	20.47	12	2	.87

Valve height: 3.15"

Flange thickness: .71"

We are continually developing our products and accordingly we reserve the right to change specifications and dimensions without prior notice.



**SMS** INTERNATIONAL, INC.

302 W. Lincoln Hwy., Suite 8  
Cortland, IL 60112 USA  
800-296-1149 • Fax: 866-684-7495