

## SLIDE VALVES

### PNEUMATIC & SCREW TYPE S

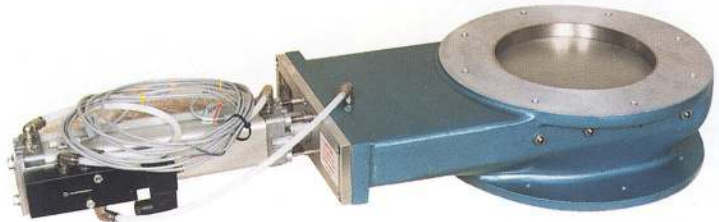
- **DUST-TIGHT TO ATMOSPHERE**
- **MACHINED CAST ALUMINUM BODY**
- **STAINLESS STEEL SLIDE PLATE**
- **SIZES 4 INCHES TO 12 INCHES. SQUARE OR ROUND**
- **SHALLOW 'POCKET' ABOVE SLIDE PLATE**
- **SCREW OR PNEUMATIC OPERATION**
- **INLET AND OUTLET FLANGES ARE IDENTICAL**

This range of fully enclosed slide valves for the control of gravity fed powders and granules, has corrosion resistant cast aluminum alloy bodies with 304 stainless steel slide plates and inlet bores as standard. The slide plate runs on nylon 66 supports mounted on eccentric stainless steel pins for adjustment. Both versions use the same body and are dust-tight to atmosphere even when used with the finest materials. Inlet and outlet flanges are drilled  $\frac{3}{8}$  UNC and spaced according to ANSI 150 lb as standard. Flanges to customers' requirements may also be supplied. Maximum operating temperature 80°C (150°C to special order). Also available in all stainless steel for applications where aluminum is unacceptable. These valves are not designed to close through a static column of material.

#### PNEUMATIC VALVE TYPE SP

Operation is by means of a double acting cylinder with stainless steel piston rod, controlled by a single solenoid valve, pipe connections being made to the cylinder. As supplied, the valve will close in the event of a failure in the electricity supply.

Switches for electrical indication of fully open and closed positions are fitted as an optional extra. Switches and solenoid valves to customers' choice or for use in hazardous areas can also be fitted.

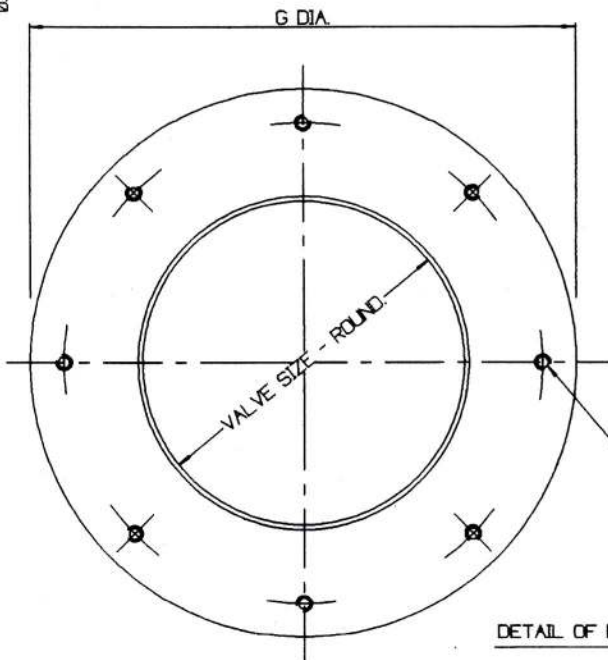
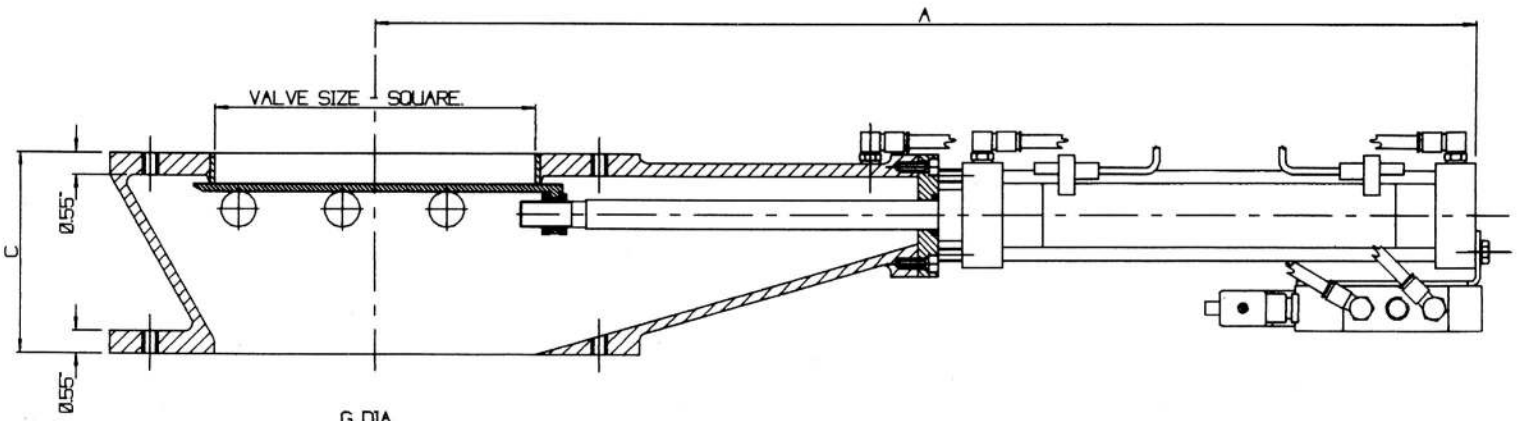
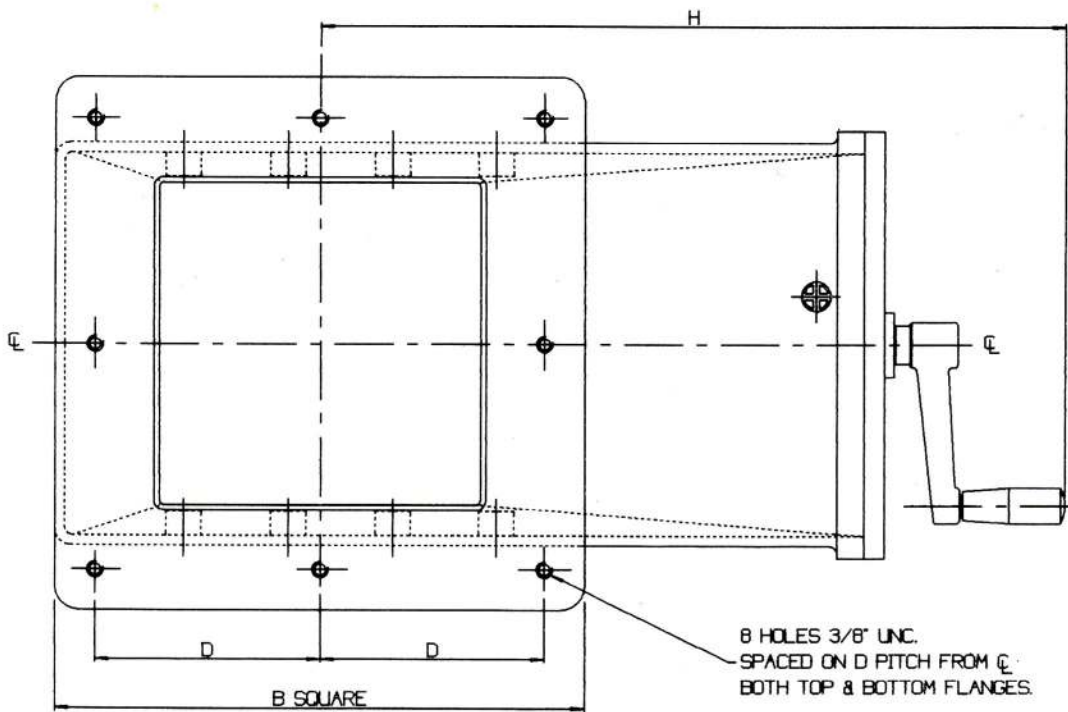


#### SCREW VALVE TYPE SS

Movement of the slide plate is by a double start stainless steel acme screw and nylon 66 nut and can be fitted for either handwheel or chainwheel operation. This valve, as well as for use as a shut off valve, is ideal for metering the material flow with the plate in the part open/closed position.



**Britton**  
POWDER CONTROL



MODEL SS/SP	NOMINAL OPENING	A	B	C	D CRS.	E NO.	F P.C.D.	G DIA.	H
100	4"	18.00	9.00	4.33	3.54	8	7.50	9.06	13.00
150	6"	22.87	11.00	4.92	4.53	8	9.50	11.00	16.00
200	8"	27.75	13.00	4.92	5.51	8	11.75	13.38	19.00
250	10"	32.68	15.00	5.51	6.50	12	14.25	16.00	21.87
300	12"	37.60	17.00	5.51	7.48	12	17.00	19.00	24.87
350	14"	42.50	19.00	5.91	8.46	12	18.75	21.00	27.75
400	16"	47.50	21.00	7.87	9.45	16	21.25	23.65	30.75

We are continually developing our products and accordingly we reserve the right to change specifications and dimensions without prior notice.

E No. HOLES 3/8" UNC.  
ON F P.C.D. BOTH TOP  
AND BOTTOM FLANGES.

DETAIL OF FLANGES FOR ROUND VALVE



**SMS** INTERNATIONAL, INC.

302 W. Lincoln Hwy., Suite 8  
Cortland, IL 60112 USA  
800-296-1149 • Fax: 866-684-7495