

# Manual Iris Valve

## THE CONCEPT

The concept of our Iris Diaphragm Valve is similar to that of the iris of a camera.

## DOUBLE LOCK SERIES

In addition to a flange at each end, an intermediate ring is introduced in the middle of the tubular diaphragm. This "middle" or "intermediate" ring is rotated while the two flanges remain stationary. Since the middle ring rotates through 180 degrees, there is a double locking of the diaphragm. An added advantage of this type of valve is that with the bottom flange being "fixed" or stationary, the valve can be easily used in down-line equipment.

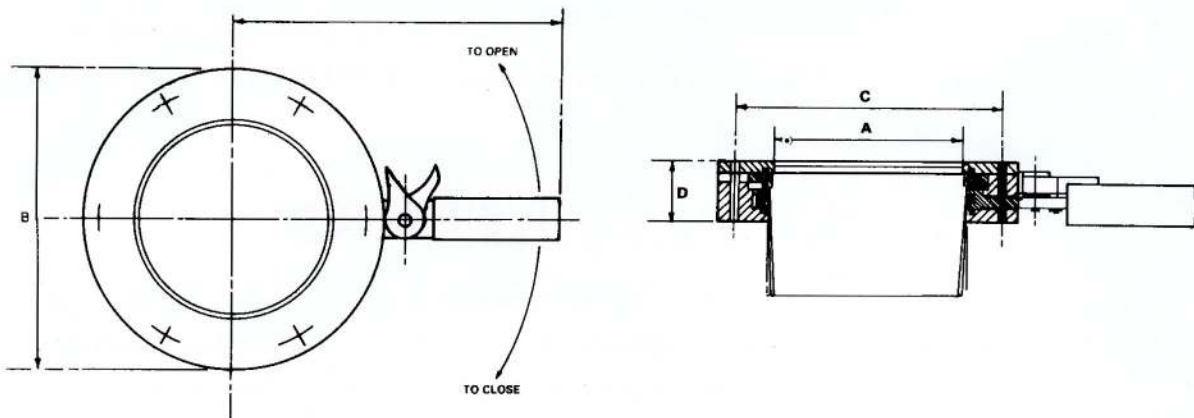
## APPLICATIONS

The iris valve is used to control the flow of *powders, granules, flakes, crystals, etc.*, in a wide range of production equipment, such as hoppers, bins, dryers, blenders, bulk bag unloaders and vertical pipe lines. The principal users of these valves are the pharmaceutical, chemical, fertilizer, dairy product, food processing, detergent and plastics industries.



Dimensions — (Material – S.S./Aluminum)						
Size	A	B	C	D	Mounting Holes	Wt. In Lbs. (Approx.)
4"	4	6.87	6.15	1.21	6 x 5/16 UNC	7.1 / 2.9
6"	6	8.87	8.00	1.21	6 x 5/16 UNC	10.6 / 4.12
8"	8	11.00	10.00	1.21	6 x 5/16 UNC	14.6 / 6.2
10"	10	14.00	12.87	1.21	6 x 3/8 UNC	22.9 / 8.2
12"	12	16.00	14.87	1.21	8 x 3/8 UNC	26.9 / 9.9
14"	14	18.50	16.25	1.50	10 x 1/2 UNC	51.3 / 19
16"	16	21.00	19.50	1.50	12 x 1/2 UNC	78.3 / 29
18"	18	23.00	21.50	1.50	12 x 1/2 UNC	83.7 / 31

All dimensions are in inches.



The Double Locking Series is available in aluminum alloy, SS304 and SS316. Aluminum valves have a mild steel, zinc-plated rotating ring. In this type of valve, the locking lever is made either in aluminum or stainless steel. The diaphragms to be fitted in these valves are available in:

- PU Coated Nylon

#### OPTIONAL FEATURE

An optional feature is a guide sleeve passing through the orifice of the diaphragm. The sleeve will carry the material (e.g. powders, granules, etc.) without direct contact with the diaphragm. This feature helps to enhance the life of the diaphragm.

**SMS** INTERNATIONAL, INC.

302 W. Lincoln Hwy., Suite 8  
Cortland, IL 60112 USA  
800-296-1149 • Fax: 866-684-7495