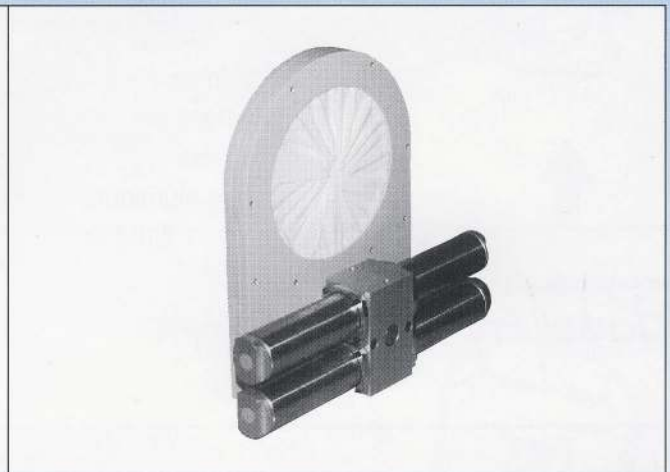
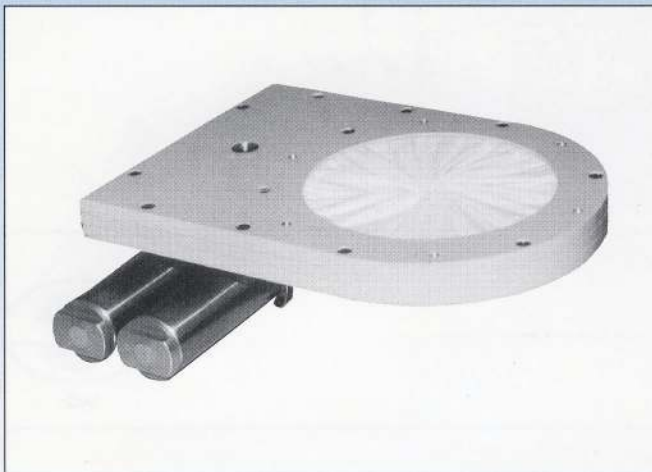


Pneumatic Operated Iris Valve

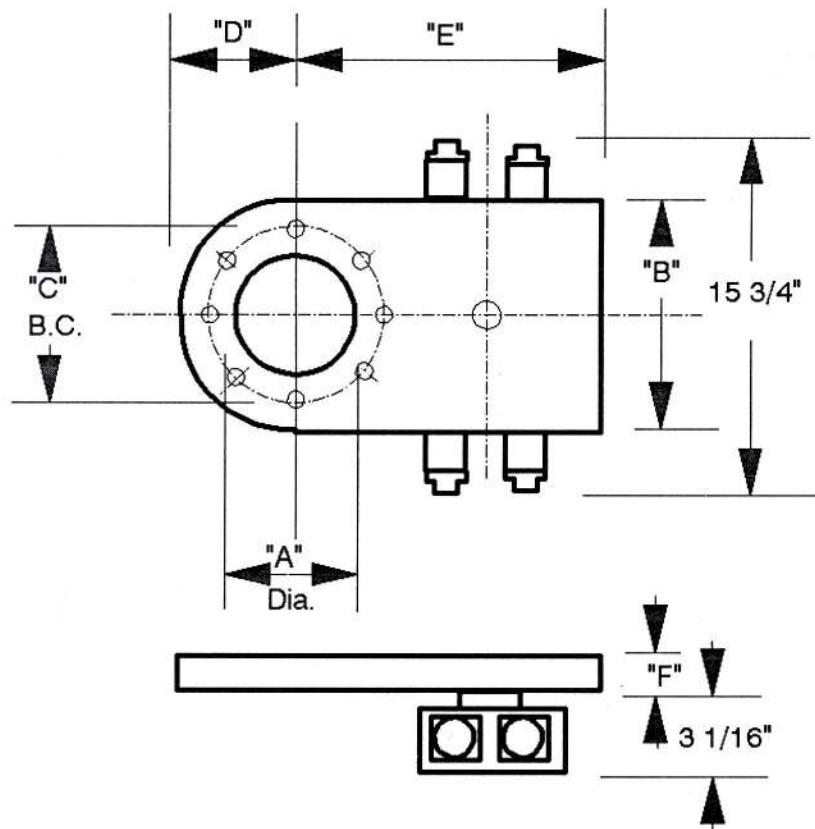
The Cadcon Iris Valve utilizes a 360° pneumatic rotary actuator operating a pinion and ring gear mechanism. This feature provides a smooth linear action for opening and closing the diaphragm. Numerous control options are available including single or double solenoid, explosion proof or air pilot operated.

- Sizes: 6" to 18"
- Body Material: Powder Coated Aluminum Alloy
304 Stainless Steel
316 Stainless Steel
- Diaphragm: Nylon
Polyurethane Coated Nylon



| Model | A | B | C | D | E | Mounting Holes | F (Thks.) |
|----------|----|-------|-------|-------|-------|----------------|-----------|
| CVDLP-6 | 6 | 8.87 | 8.00 | 4.44 | 7.48 | 6 x 5/16 UNC | 1.1/2" |
| CVDLP-8 | 8 | 11.00 | 10.00 | 5.50 | 9.85 | 6 x 5/16 UNC | 1.1/2" |
| CVDLP-10 | 10 | 14.00 | 12.87 | 7.00 | 12.20 | 6 x 3/8 UNC | 1.1/2" |
| CVDLP-12 | 12 | 16.00 | 14.87 | 8.00 | 14.20 | 8 x 3/8 UNC | 1.5/8" |
| CVDLP-14 | 14 | 18.50 | 17.00 | 9.25 | 16.00 | 12 x 1/2 UNC | 1.3/4" |
| CVDLP-16 | 16 | 21.50 | 19.50 | 10.75 | 18.50 | 12 x 1/2 UNC | 1.3/4" |
| CVDLP-18 | 18 | 23.50 | 21.00 | 11.75 | 20.00 | 12 x 1/2 UNC | 1.3/4" |

All dimensions are in inches.



SMS INTERNATIONAL, INC.

302 W. Lincoln Hwy., Suite 8
 Cortland, IL 60112 USA
 800-296-1149 • Fax: 866-684-7495